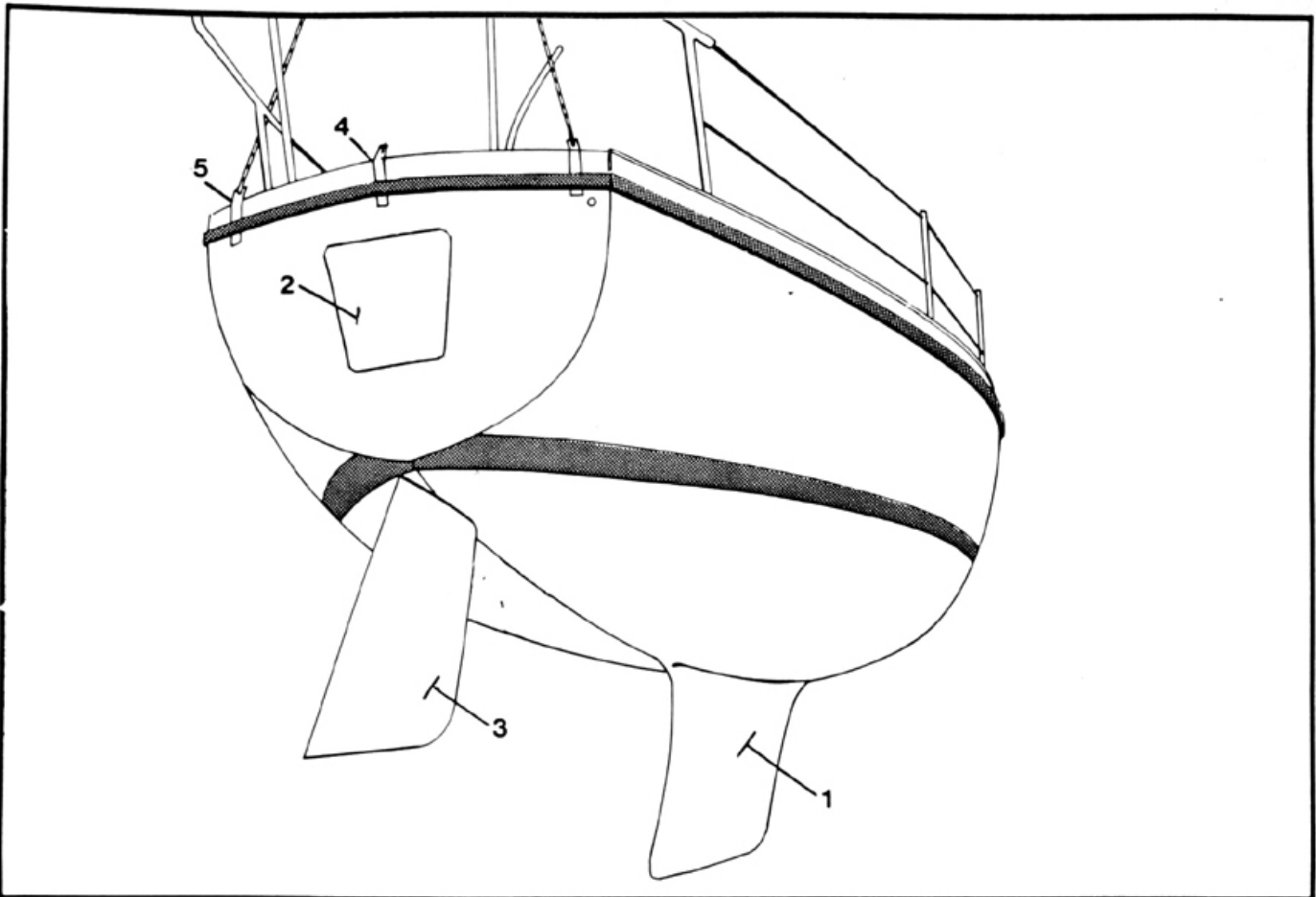
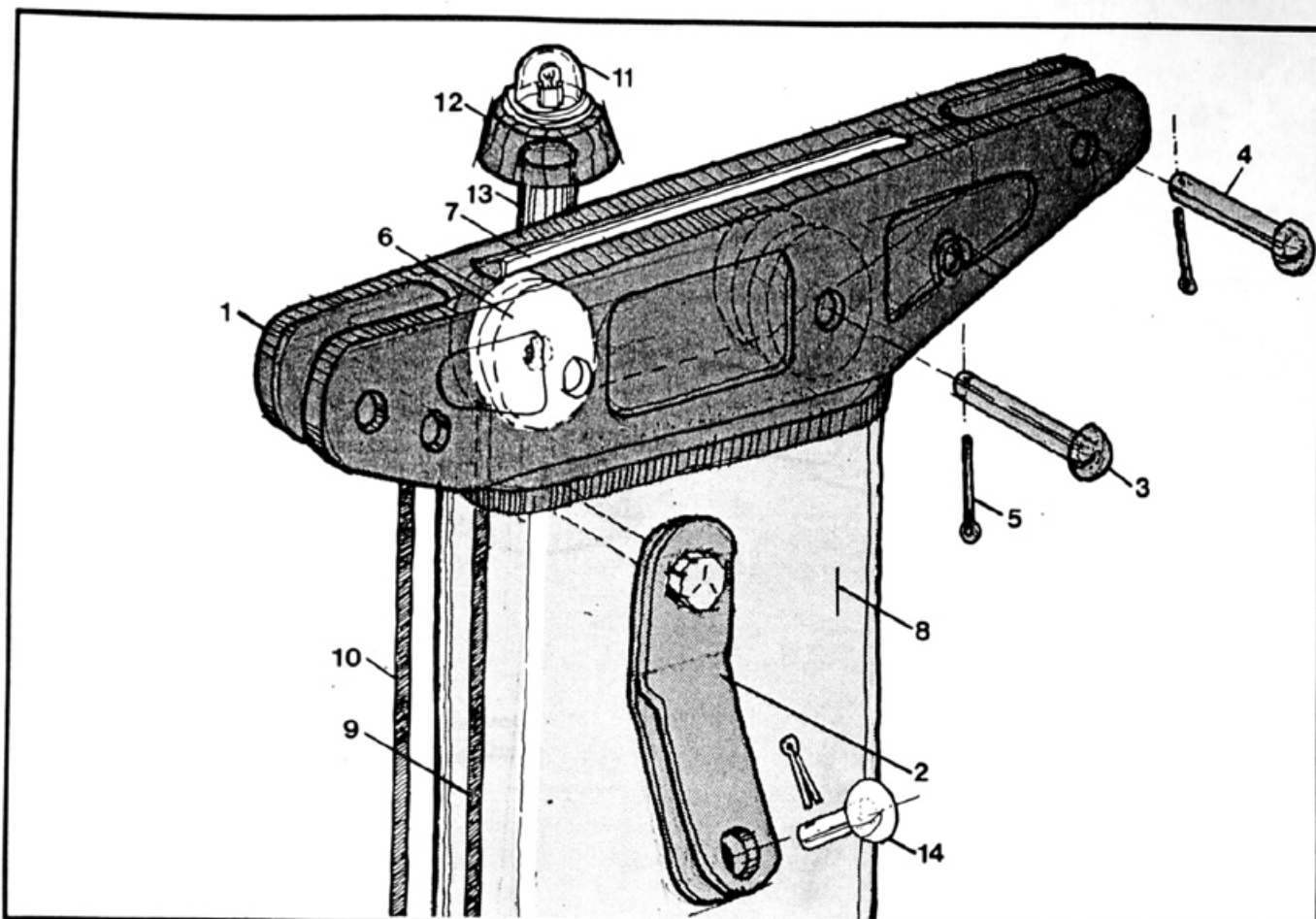


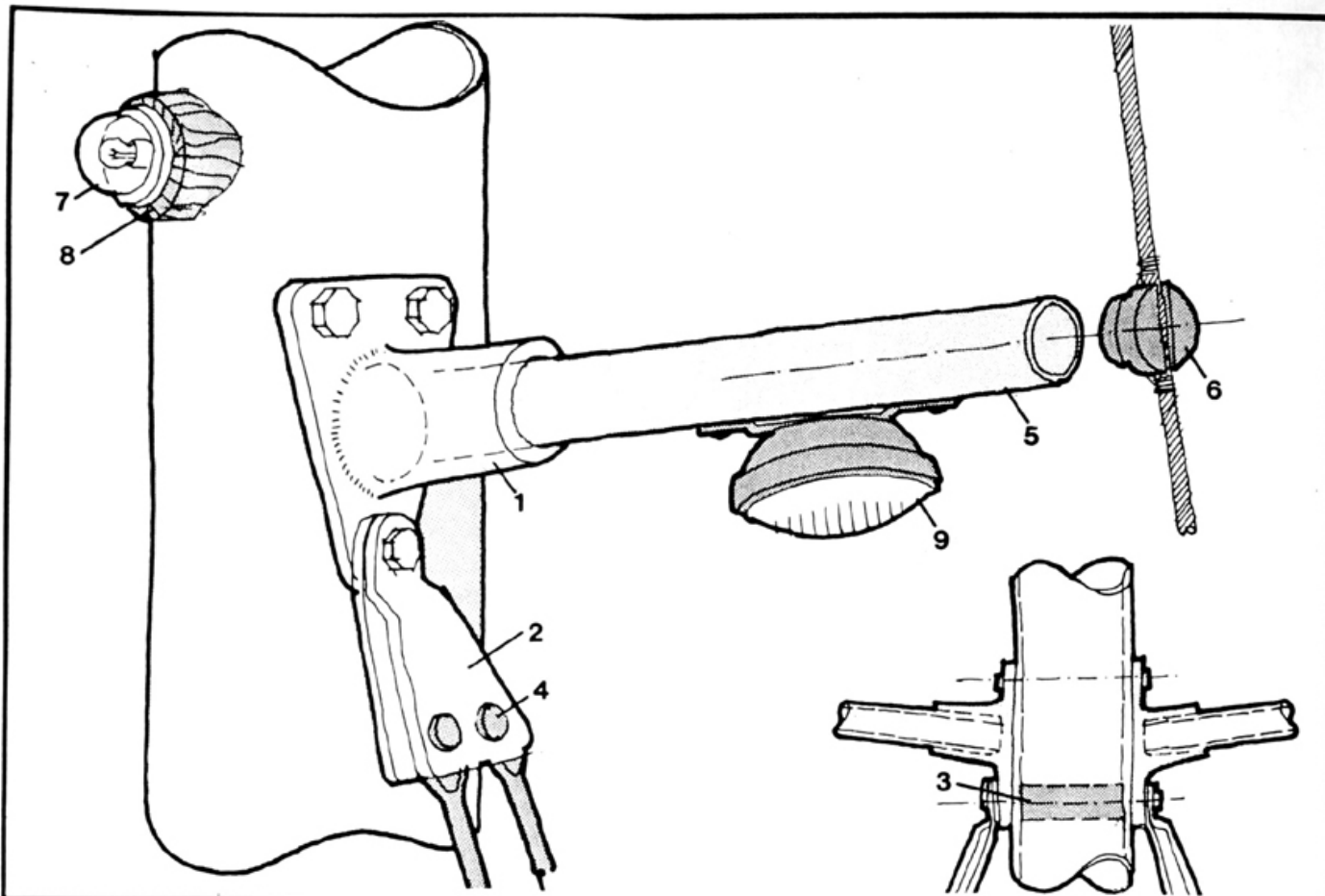
| ref. | Part Number | Description | std | opt |
|------|----------------|--|-----|-----|
| 1 | H 25 01 01 100 | COAMING COMPARTMENT LINER, FIBERGLASS | | 2 |
| 2 | H 25 01 03 285 | TEAK RING | | 2 |
| | H 25 01 03F | FASTENER KIT: (4) #6-32x5/8" SLOT. FHMS, S.S. (4) #10 FLAT WASHER, S.S. (4) #6-32 HEX NUT, S.S. | | 2 |
| 3 | H 26 06 01 100 | STARBOARD SEAT HATCH, FIBERGLASS | 1 | |
| 4 | H 26 06 03 100 | PORT SEAT HATCH, FIBERGLASS | 1 | |
| 5 | H 26 06 05 049 | HINGE | 2 | |
| | H 26 06 05F | FASTENER KIT: (4) #6-32 x 1" SLOT. FHMS, S.S. (4) #6 FLAT WASHER, S.S. (4) #6 LOCK WASHER, S.S. (4) #6-32 HEX NUT, S.S. | 2 | |
| | H 26 06 07 920 | GASKET TAPE, 1/4" x 3/4" x 88" | 1 | |
| 6 | H 26 06 09 497 | HASP AND EYE | 2 | |
| | H 26 06 09F | FASTENER KIT: (8) #6 x 3/8" PHIL. OHSMS, S.S. | 2 | |
| 7 | H 27 08 07 160 | TILLER HEAD, S.S. | 1 | |
| | H 27 08 07F | FASTENER KIT: (1) 5/16"-18 x 2 1/2" HHMS, S.S. (1) 5/16"-18 HEX NUT, S.S. (1) 5/16"-18 x 1 " HHMS, S.S. | 1 | |
| | H 27 08 03 900 | RUDDER WASHER, WHITE NYLON | 2 | |
| 8 | H 27 09 03 285 | LAMINATED TILLER | 1 | |
| 9 | H 27 09 07 160 | TILLER STRAPS, S.S. | 1 | |
| | H 27 09 07F | FASTENER KIT: (3) 5/16"-18 x 2 3/4" HHMB, S.S. (3) 5/16" LOCK WASHER, S.S. (3) 5/16"-18 HEX NUT, S.S. | 1 | |
| | H 27 10 01 100 | TILLER COVER, SPECIFY COLOR | | 1 |



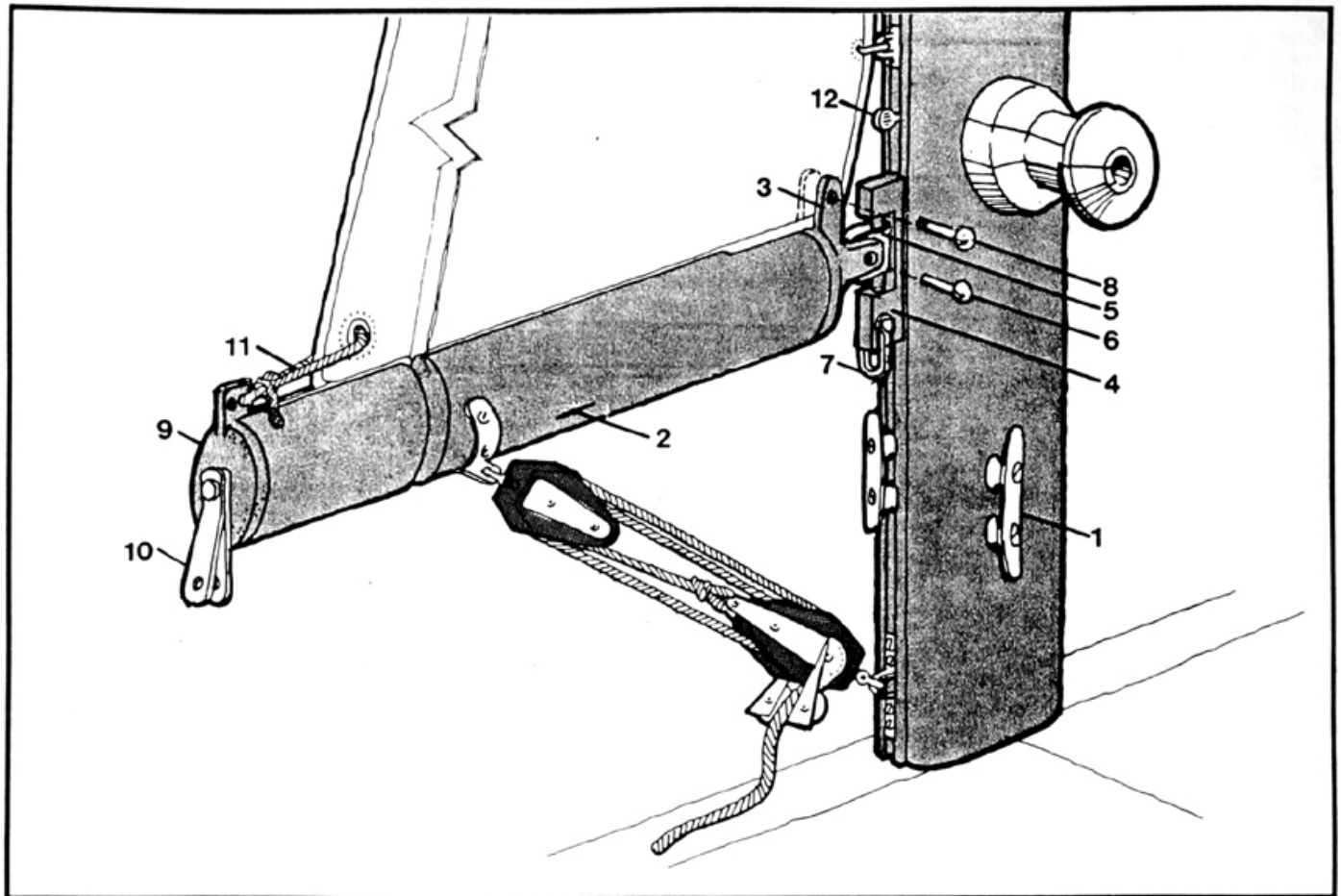
| ref. | Part Number | Description | std | opt/ |
|------|--|---|------------------|--------|
| 1 | H 27 01 01 006 H 27 01 01 F | LEAD KEEL, 2700 POUNDS W/KEEL BOLTS FASTENER KIT: (6) 5/8" FLAT WASHER, S.S. (6) 5/8"-11 HEX NUTS, S.S. | 1 1 | |
| | H 27 02 01 006 H 27 02 01F | SHOAL DRAFT KEEL, 3150 POUNDS W/KEEL BOLTS FASTENER KIT: (6) 5/8" WASHERS, S.S. (6) 5/8"-11 HEX NUTS, S.S. | | 1 1 |
| 2 | H 27 16 01 100 H 27 16 01F | OUTBOARD WELL HATCH FASTENER KIT: (2) 1/4" FLAT WASHER, S.S. (2) 1/4"-20 WING NUT, S.S. | | 1 1 |
| | H 27 16 05 900 | 1/3/4" x 3 1/4" DRAIN TUBE | 2 | |
| 3 | H 27 08 01 100 H 27 08 05 100 | RUDDER W/RUDDER POST RUDDER TUBE, FIBERGLASS | 1 1 | |
| 4 | H 22 11 01 900 H 22 11 03 900 H 22 11 01-03F | SINGLE BACKSTAY TANG, S.S. BACK UP PLATE, 1 1/2" x 3" FASTENER KIT: (1) 5/16" - 18 x 2 FHMS, S.S. (2) 5/16"-18 x 1 1/4" SLOT. RHMS, S.S. (3) 5/16" FLAT WASHER, .S.S (3) 5/16" LOCK WASHER, S.S. (3) 5/16"-18 HEX NUT, S.S. | 1 1 1 1 | |
| 5 | H 22 12 01 900 H 22 12 01 F | SPLIT BACKSTAY TANG, S.S. FASTENER KIT: (1) 5/16"-18 x 2 FHMS, S.S. (2) 5.16"-18 x 1 1/4" SLOT. RHMS, S.S. (3) 5/16" FLAT WASHERS, S.S. (3) 5/16" LOCK WASHERS, S.S. (3) 5/16"-18 HEX NUT, S.S. | 2 2 | |



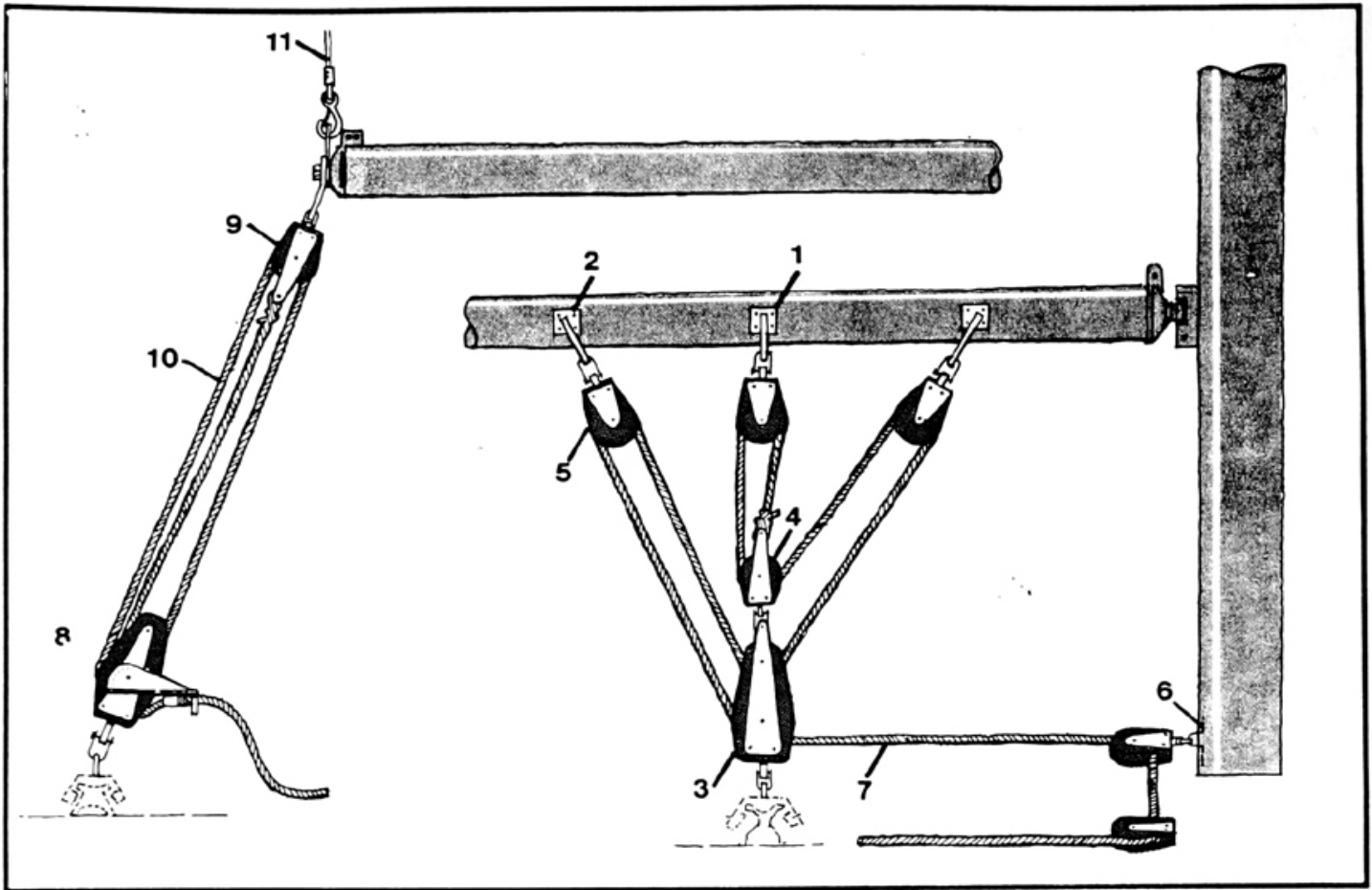
| ref | Part Number | Description | std | opt |
|-----|----------------|--|-----|-----|
| 1 | H 30 01 07 900 | MAST HEAD, ALUMINUM CASTING | 1 | |
| 2 | H 30 01 09 255 | UPPER SHROUD TANG | 2 | |
| | H 30 01 09F | FASTENER KIT: (1) 3/8"-16 x 4 1/4" HHMB. S.S. (1) 3/8"-16 CASTLE NUT, S.S. (1) 3/32" x 1 1/2" COTTER PIN | 2 | |
| 3 | H 30 01 11 900 | MASTHEAD RIVIT, RH. 5/16" x 2", S.S. | 4 | |
| 4 | H 30 01 13 900 | MASTHEAD RIVIT, RH. 3/8" x 2", S.S. | 2 | |
| 5 | H 30 01 15 740 | 3/32" x 1 1/2" COTTER PIN, FOR MASTHEAD RIVIT | 6 | |
| 6 | H 30 01 19 721 | SHEAVE | 4 | |
| 7 | H 30 01 23 900 | SPACER ALUMINUM | 1 | |
| | H 30 01 05 900 | MASTHEAD ASSEMBLY, COMPLETE | 1 | |
| 8 | H 30 01 01 900 | MAST, ALUMINUM EXTRUSION, 33'-0" | 1 | |
| | H 30 01 03 680 | CLEAR ANODIZED MAST, ALUMINUM EXTRUSION 33'-0" | | 1 |
| 9 | H 33 05 01 100 | MAIN HALYARD WIRE, 7 x 19, 1/8" x 32'-0" | 1 | |
| | H 33 05 03 275 | MAIN HALYARD TAIL, BRAIDED DACRON, 5/16" x 35'-0" | 1 | |
| 10 | H 33 05 05 100 | JIB HALYARD WIRE, 7 x 19, 1/8" x 35'-0" | 1 | |
| | H 33 05 07 275 | JIB HALYARD TAIL, BRAIDED DACRON, 5/16" x 35'-0" | 1 | |
| | H 30 01 70 100 | MAST ASSEMBLY, COMPLETE | 1 | |
| | H 30 01 75 100 | ANODIZED MAST ASSEMBLY, COMPLETE | | 1 |
| 11 | H 75 08 01 497 | MAST HEAD LIGHT | 1 | |
| | H 75 08 01F | FASTENER KIT: (3) #6 x 5/8" PHIL. PHSMS, S.S. | 1 | |
| 12 | H 75 08 03 285 | TEAK PAD | 1 | |
| | H 75 08 03F | FASTENER KIT: (1) #10-24 x 1" SLOT. FHMS, S.S. | 1 | |
| 13 | H 75 08 05 900 | MAST HEAD LIGHT TUBE, ALUMINUM | 1 | |
| | H 75 08 05F | FASTENER KIT: (3) #10-24 x 1" SLOT. PHMS, S.S. | 1 | |
| | H 75 08 07 097 | MAST HEAD LIGHT WIRE, 2 STRAND, 16 GAUGE, 36'-0" | 1 | |
| | H 75 08 09 135 | MALE CONNECTOR | 1 | |
| 14 | H 30 01 10 900 | UPPER SHROUD RIVIT, RH 3/8" x 3/4" | 2 | |



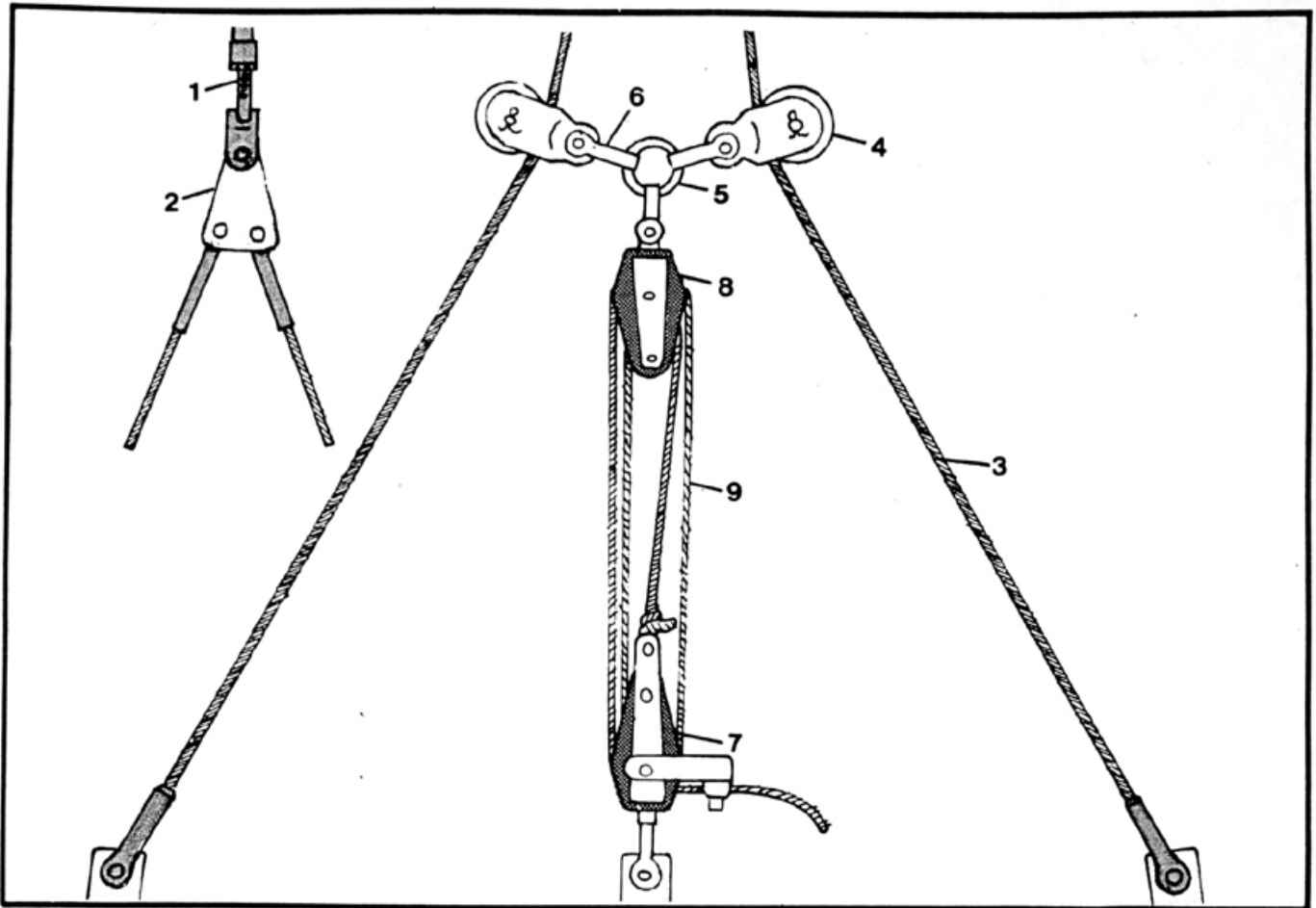
| ref | Part Number | Description | std | opt |
|-----|----------------|---|-----|-----|
| 1 | H 30 01 27 900 | SPREADER BRACKET, ALUMINUM CASTING | 2 | |
| 2 | H 30 01 29 255 | LOWER SHROUD TANG, S.S. | 4 | |
| 3 | H 30 01 31 900 | COMPRESSION TUBE, 3 3/16" x 1/2" | 1 | |
| | H 30 01 27-31F | FASTENER KIT: (2) 5/16"-18 x 4 1/2" HHMB, S.S. (2) 5/16"-18 CASTLE NUT, S.S. (2) 1/32" x 1/2" COTTER PIN (1) 3/8"-16 x 4 1/2" HHMB, S.S. (1) 3/8"-16 CASTLE NUT, S.S. | 1 | |
| 4 | H 30 01 33 900 | FH RIVET, 5/16" x 3/4", S.S. FOR LOWER SHROUD TANG | 4 | |
| | H 30 01 35 740 | 3/32" x 1 1/2" COTTER PIN, FOR LOWER SHROUD RIVET | 4 | |
| 5 | H 30 01 39 900 | 34" SPREADER | 2 | |
| | H 30 01 40 900 | CLEAR ANODIZED 34" SPREADER | | 2 |
| | H 30 01 41 740 | 1/8" x 2" COTTER PIN, FOR SPREADER | 2 | |
| 6 | H 30 01 43 494 | SPREADER PLUG | 2 | |
| 7 | H 75 08 11 497 | BOW LIGHT | | 1 |
| | H 75 08 11F | FASTENER KIT: (3) #6 x 5/8" PHIL. PHSMS, S.S. | | 1 |
| 8 | H 75 08 13 285 | TEAK PAD | | 1 |
| | H 75 08 13F | FASTENER KIT: (2) #10-24 x 2" SLOT. FHMS, SS | | 1 |
| | H 75 08 15 097 | BOW LIGHT WIRE, 2 STRAND, 16 GAUGE, 18'-8" | | 1 |
| | H 75 08 17 135 | CONNECTOR | | 1 |
| 9 | H 75 08 19 910 | SPREADER LIGHT | | 2 |
| | H 75 08 19F | FASTENER KIT: (2) #10 x 1" PHIL, PHSMS, S.S. | | 2 |
| | H 75 08 21 097 | SPREADER LIGHT WIRE, 2 STRAND, 16 GAUGE, 26'-0" | | 1 |
| | H 75 08 22 675 | RUBBER GROMMET | | 2 |
| | H 75 08 23 135 | MALE CONNECTOR | | 1 |
| | H 75 08 25 135 | FEMALE CONNECTOR, ON MAST STEP | | 1 |



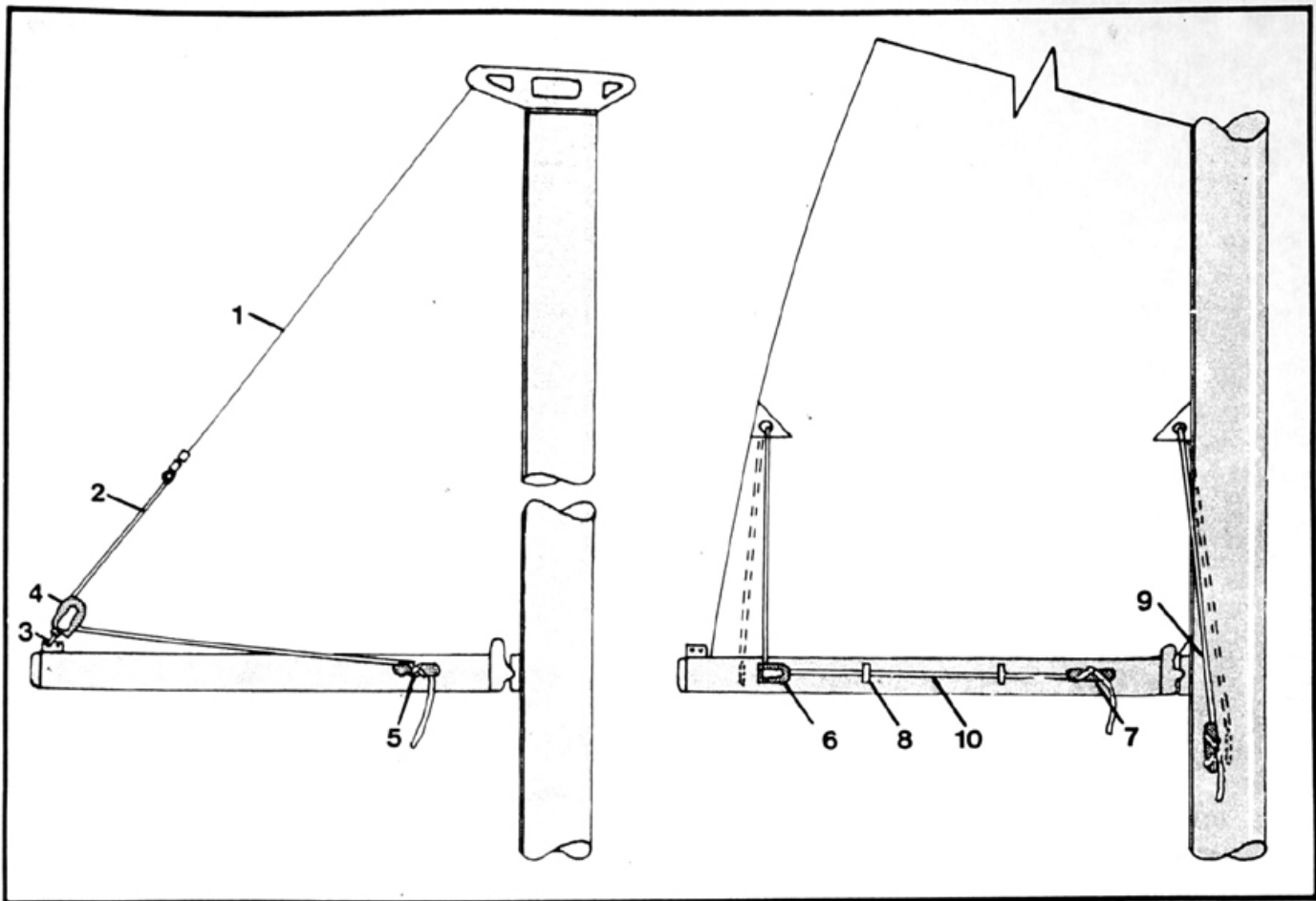
| ref | Part Number | Description | std | opt |
|-----|----------------|---|-----|-----|
| 1 | H 30 01 49 760 | 6" JAM CLEAT | 3 | |
| | H 30 01 49 F | FASTENER KIT: (2) 1/4"-20 x 1 3/4" SLOT. FHMS, S.S. | 3 | |
| 2 | H 31 01 01 100 | BOOM, ALUMINUM EXTRUSION, 11'-0", MACHINED | 1 | |
| | H 31 01 03 650 | CLEAR ANODIZED BOOM, ALUMINUM EXTRUSION, 11'-0". MACHINED | | 1 |
| 3 | H 31 01 05 900 | GOOSENECK CASTING | 1 | |
| | H 31 01 05F | FASTENER KIT: (2) #10 x 1" PHIL. PHSMS, S.S. | 1 | |
| 4 | H 31 01 07 900 | GOOSENECK SLIDE, ALUMINUM | 1 | |
| 5 | H 31 01 09 255 | GOOSENECK SLIDE CLIP | 1 | |
| 6 | H 31 01 11 900 | RH RIVIT, 1/4" x 1 3/4", S.S. | 1 | |
| | H 31 01 13 740 | 3/32" x 1 1/2" COTTER PIN, S.S. | 1 | |
| 7 | H 31 01 15 255 | SHACKLE | 1 | |
| 8 | H 31 01 17 900 | TACK PIN, RH RIVIT, 1/4" x 1 3/4", S.S. | 1 | |
| | H 31 01 19 420 | SPRING PIN | 1 | |
| 9 | H 31 01 21 900 | BOOM END CASTING | 1 | |
| | H 31 01 21F | FASTENER KIT: #10 x 1" PHIL PHSMS, S.S. | 1 | |
| 10 | H 31 01 23 255 | MAINSHEET TANG | 1 | |
| | H 31 01 23F | FASTENER KIT: (1) 3/8"-16 x 1 1/2" SLOT. RHMS, S.S. (2) 3/8" FLAT WASHER, S.S. (1) 3/8"-16 LOCK NUT, S.S. | 1 | |
| 11 | H 33 07 01 275 | OUTHHAUL, BRAIDED DACRON, 1/4" x 5'-0" | 1 | |
| | H 33 07 03 275 | DOWNHAUL, BRAIDED DACRON, 1/4" x 4'-0" | 1 | |
| | H 31 01 53 100 | BOOM ASSEMBLY, COMPLETE | 1 | |
| | H 31 01 55 100 | ANODIZED BOOM ASSEMBLY, COMPLETE | | 1 |
| 12 | H 30 01 53 740 | SAIL SLOT THUMBSCREW | 1 | |



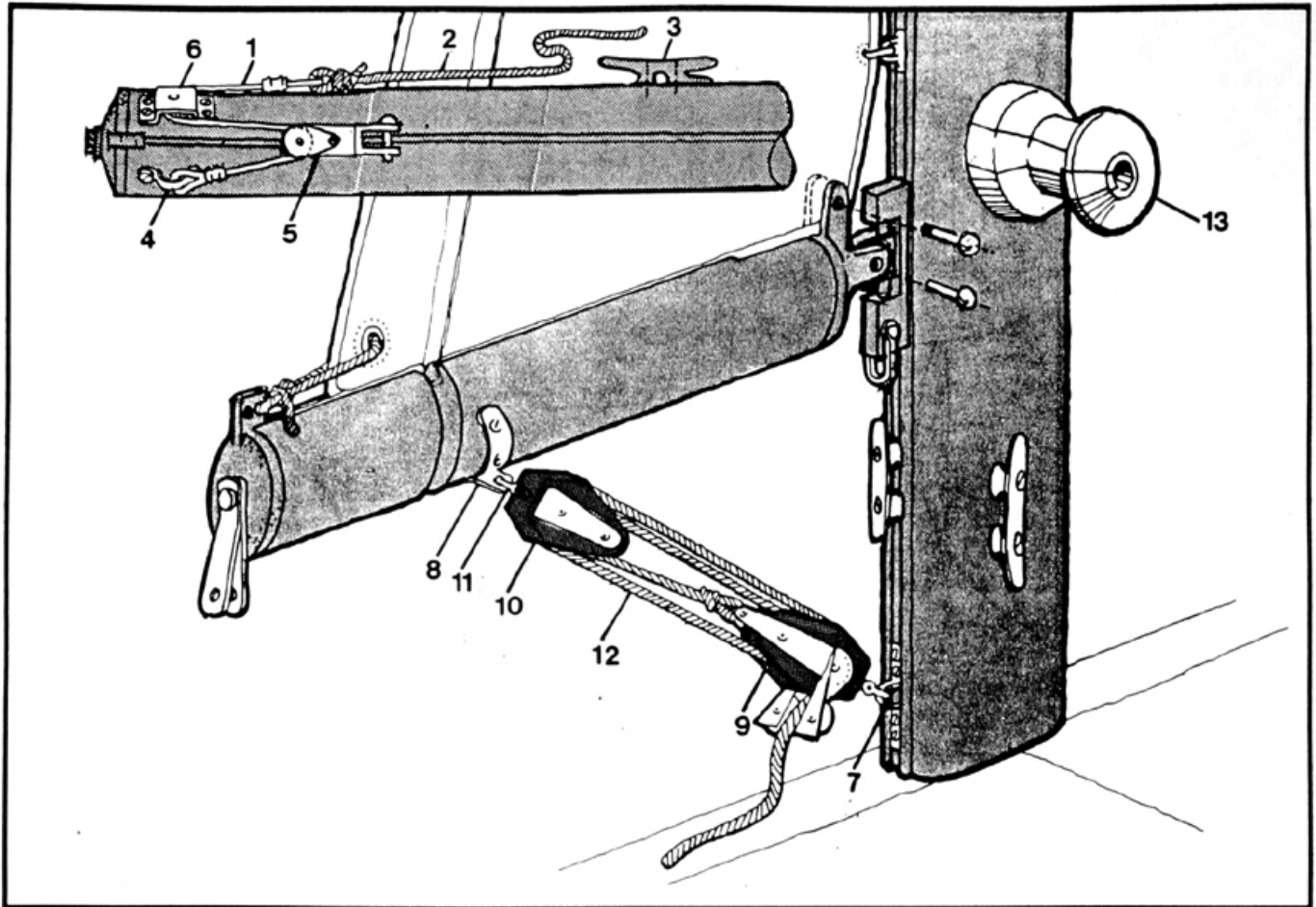
| ref | Part Number | Description | std out. |
|-----|----------------|---|----------|
| 1 | H 33 13 09 255 | STRAIGHT BOOM BALE, S.S. | 1 |
| 2 | H 33 13 11 255 | ANGLED BOOM BALE, S.S. | 2 |
| | | FASTENER KIT: (6) #10 x 1" PHIL. PHSMS, S.S. | 3 |
| 3 | H 33 13 01 725 | MAINSHEET FIDDLE BLOCK | 1 |
| 4 | H 33 13 02 725 | SINGLE BLOCK W/BECKET | 1 |
| 5 | H 33 13 03 725 | SINGLE BLOCK | 4 |
| 6 | H 33 13 07 255 | EYE STRAP, AT FOOT OF MAST | 1 |
| 7 | H 37 01 15 275 | MAINSHEET BRAIDED DACRON, 3/8" x 75'-0" | 1 |
| 8 | H 33 12 01 725 | MAINSHEET FIDDLE BLOCK W/CAM CLEAT | 1 |
| 9 | H 33 12 03 725 | MAINSHEET SINGLE BLOCK W/BECKET | 1 |
| 10 | H 37 01 15 275 | AFT TRAVELER MAINSHEET, BRAIDED DACRON, 3/8" x 75'-0" | 1 |
| | H 32 01 23 100 | TOPPING PIG TAIL, 7 x 19, 3/32" x 2'-3 3/4", FOR SPLIT BACKSTAY | 1 |
| 11 | H 32 01 21 100 | TOPPING PIG TAIL, 7 x 19, 3/32" x 3'-2", FOR SINGLE BACKSTAY | 1 |
| | H 32 01 45 297 | TOPPING PIG TAIL CLIP | 1 |
| | H 32 01 41 475 | 1/8" NICO PRESS SLEEVE | 2 |
| | H 32 01 43 297 | 1/8" THIMBLE | 1 |



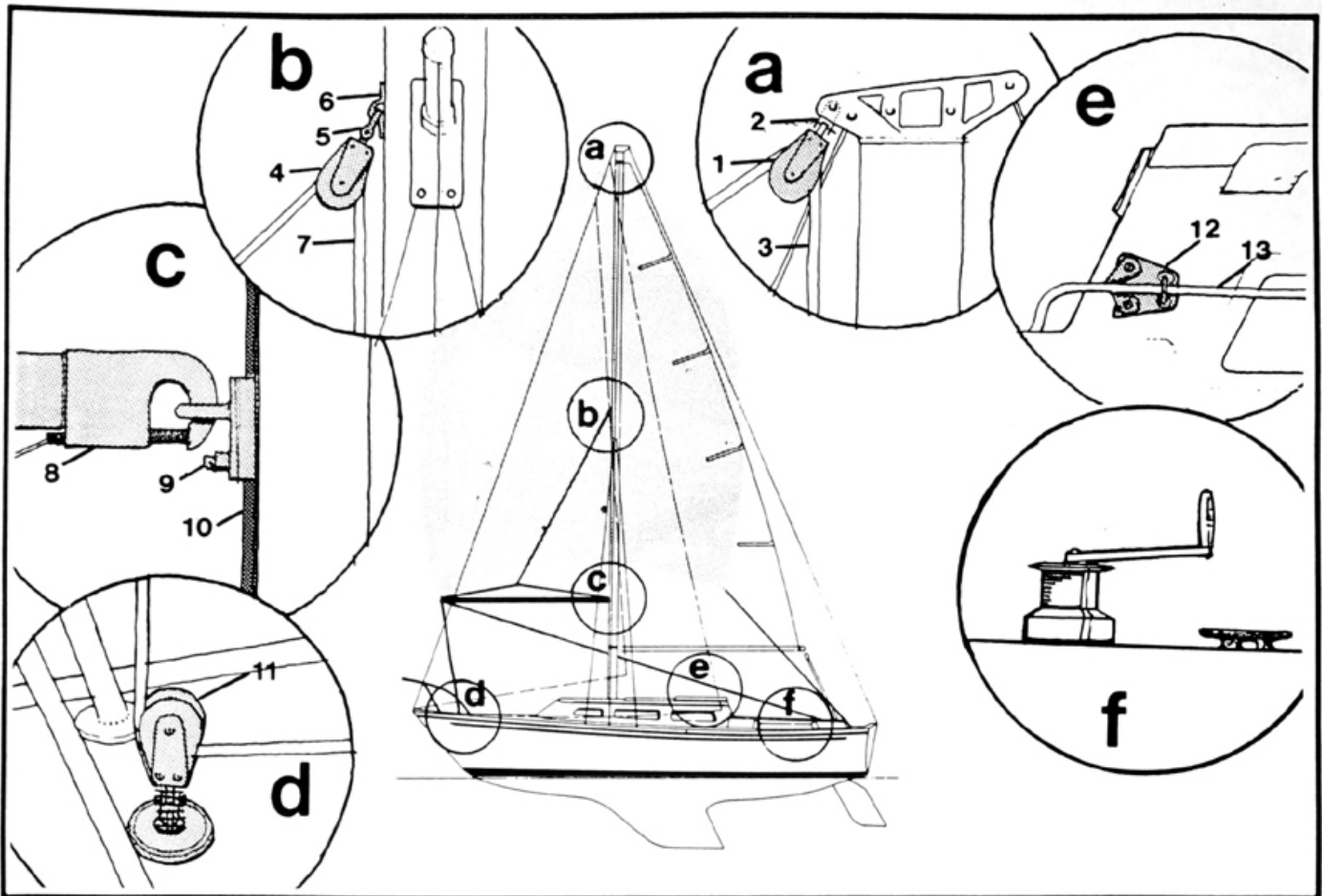
| ref | Part Number | Description | std | opt |
|-----|----------------|---|-----|-----|
| | H 32 01 11 100 | BACKSTAY, 1 x 19, 3/16" x 31'-2 1/2", IN LIEU OF STANDARD | 1 | |
| 1 | H 33 01 01 900 | 5/16"-18 TURNBUCKLE, COMPLETE | 8 | |
| 2 | H 32 01 15 255 | TANG PLATE, S.S., FOR BRIDLE AND BACKSTAY | 2 | |
| | H 32 01 17 900 | 5/16" x 3/4" FH RIVET, FOR BRIDLE | 4 | |
| | H 32 01 19 740 | 3/32" x 1 1/2" COTTER PIN, FOR FH RIVET | 4 | |
| 3 | H 32 01 13 100 | BRIDLE, 1 x 19, 3/16" x 5'-8 1/2" | 2 | |
| 4 | H 33 03 05 530 | 3/16" WIRE BLOCK | | 2 |
| 5 | H 33 03 09 010 | 2" RING | | 1 |
| 6 | H 33 03 07 725 | SHACKLE | | 3 |
| 7 | H 33 03 01 725 | FIDDLE BLOCK W/BECKET AND CAM CLEAT | | 1 |
| 8 | H 33 03 03 725 | FIDDLE BLOCK | | 1 |
| 9 | H 33 03 11 275 | ADJUSTER LINE, BRAIDED DACRON, 5/16" x 20'-0" | | 1 |
| | H 33 03 00 100 | BACKSTAY ADJUSTER ASSEMBLY, COMPLETE | | 1 |



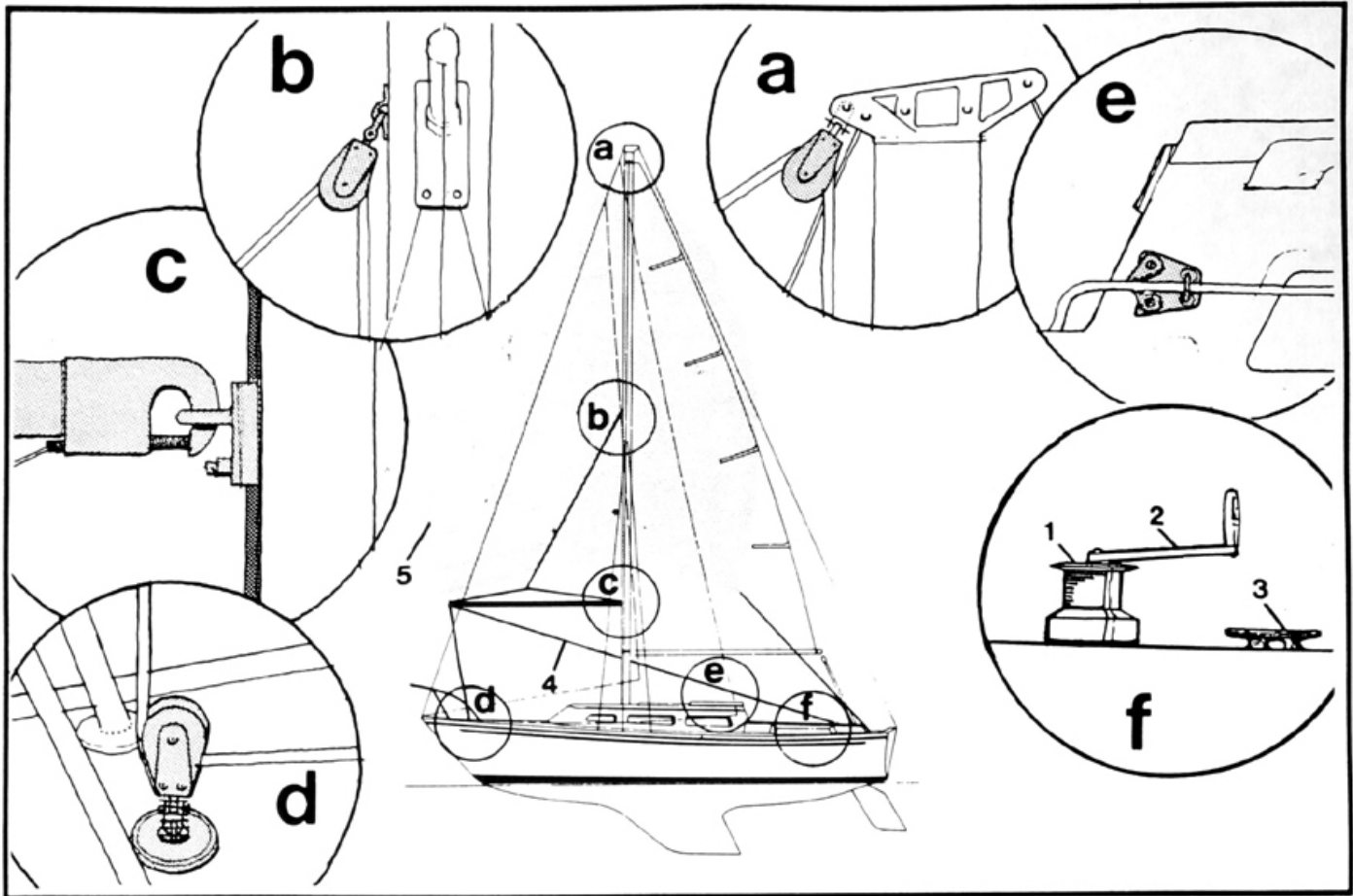
| ref | Part Number | Description | std | opt |
|-----|----------------|---|-----|-----|
| | H 38 03 00 100 | TOPPING LIFT ASSEMBLY, COMPLETE | | 1 |
| 1 | H 38 03 01 100 | TOPPING LIFT WIRE, 7 x 19, 1/8" x 30'-9" | | 1 |
| 2 | H 38 03 03 275 | TOPPING LIFT TAIL, BRAIDED DACRON, 1/4" x 16'-0" | | 1 |
| 3 | H 38 03 05 715 | SHACKLE | | 1 |
| 4 | H 38 03 07 725 | SINGLE BLOCK | | 1 |
| 5 | H 38 03 09 255 | 4 1/2" JAM CLEAT | | 1 |
| | H 38 03 09F | FASTENER KIT: (2) #10 x 1 1/2" SLOT. OHSMS, S.S. | | 1 |
| 6 | H 35 10 01 725 | CHEEK BLOCK | | 1 |
| | H 35 10 01F | FASTENER KIT: (3) #10-24 x 1 1/4" SLOT, RHMS, S.S. | | 1 |
| 7 | H 35 10 03 255 | 4 1/2" JAM CLEAT | | 2 |
| | H 35 10 03F | FASTENER KIT: (2) #10-1 1/2" SLOT. OHSMS, S.S. | | 2 |
| 8 | H 35 10 05 255 | PAD EYE, S.S. | | 4 |
| | H 35 10 05F | FASTENER KIT: (2) #10 x 1" PHIL. PHSMS, S.S. | | 4 |
| 9 | H 35 10 07 275 | REEFING LINE, BRAIDED DACRON, 5/16" x 11'-0", FORWARD | | 1 |
| 10 | H 35 10 09 275 | REEFING LINE, BRAIDED DACRON, 5/16" x 19'-0", AFT | | 1 |
| | H 35 10 00 100 | JIFFY REEFING ASSEMBLY, COMPLETE | | 1 |



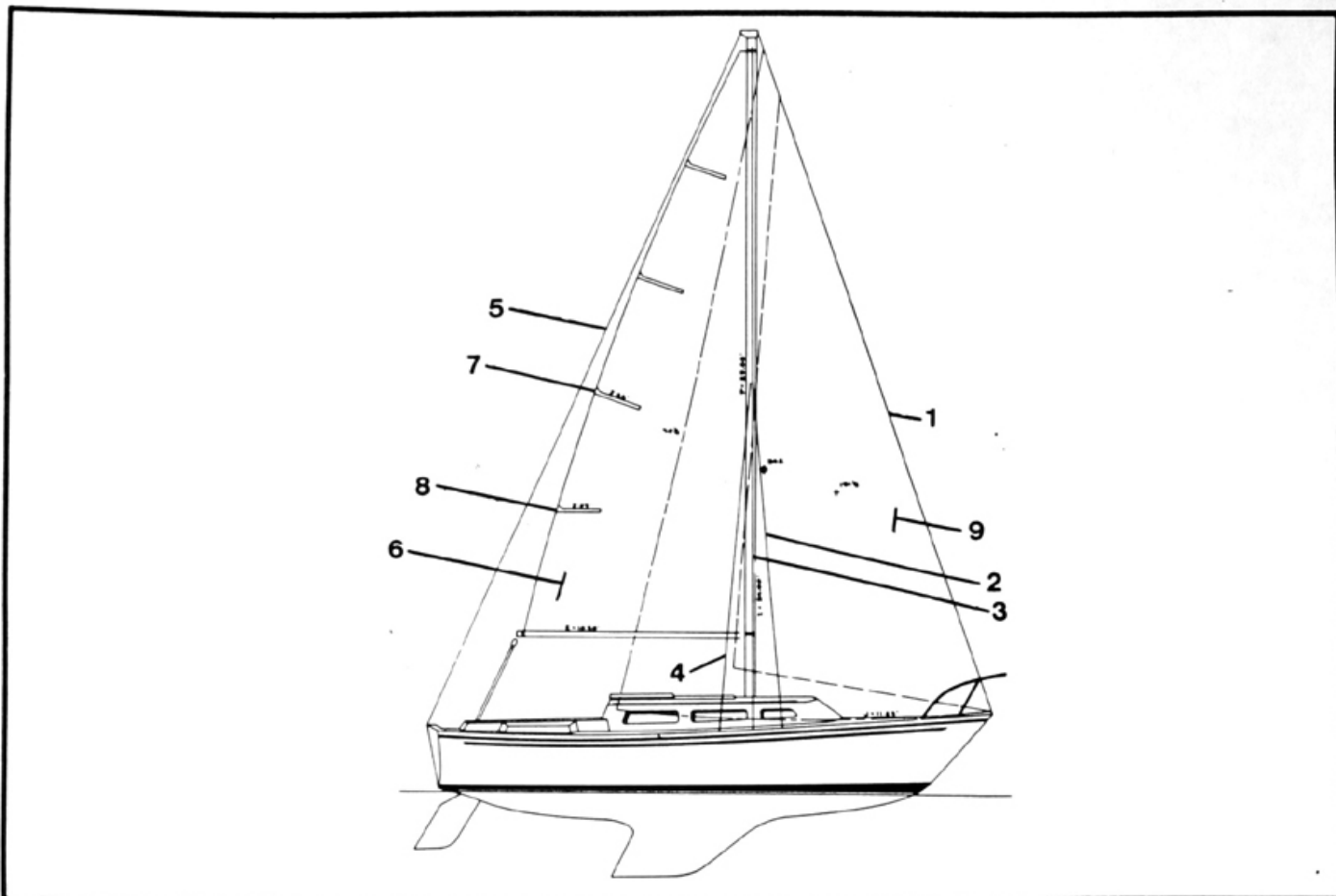
| ref | Part Number | Description | std | opt |
|-----|----------------|--|-----|-----|
| 1 | H 33 08 03 275 | OUTHAUL, 7 x 19, 1/8" x 7'-9" | | 1 |
| 2 | H 33 08 05 275 | OUTHAUL, BRAIDED DACRON, 1/4" x 6'-6" | | 1 |
| 3 | H 33 08 07 255 | 4 1/2" JAM CLEAT | | 1 |
| | H 33 08 07F | FASTENER KIT: (2) #10 x 1 1/2" SLOT. OHSMS, S.S. | | 1 |
| 4 | H 33 08 09 255 | PAD EYE, S.S. | | 3 |
| | H 33 08 09F | FASTENER KIT: (2) #10 x 1" PHIL. PHSMS, S.S. | | 3 |
| 5 | H 33 08 11 745 | OUTHAUL CAR, S.S. | | 1 |
| 6 | H 33 08 13 745 | OUTHAUL CHEEK BLOCK | | 1 |
| | H 33 08 13F | FASTENER KIT: (2) 1/4"-20 x 5/8" SLOT. RHMS, S.S. (1) 1/4"-20 x 1 1/2" SLOT. RHMS, S.S. | | 1 |
| 7 | H 35 08 01 530 | BOOM VANG EYE STRAP, ON MAST | | 1 |
| 8 | H 35 08 03 255 | BOOM VANG STRAP, ON BOOM | | 1 |
| | H 35 08 01-03F | FASTENER KIT: (4) #10 x 1" PHIL PHSMS, S.S. | | 2 |
| 9 | H 35 08 05 725 | FIDDLE BLOCK W/BECKET AND CAM CLEAT | | 1 |
| 10 | H 35 08 07 725 | FIDDLE BLOCK | | 1 |
| 11 | H 35 08 09 725 | SHACKLE | | 2 |
| 12 | H 35 08 11 275 | VANG LINE, BRAIDED DACRON, 5/16" x 35'-0" | | 1 |
| 13 | H 30 01 45 478 | HALYARD WINCH, CHROME | | 1 |
| | H 30 01 45F | FASTENER KIT: (4) 1/4"-20 x 1 1/4" SLOT. RHMS, S.S. | | 1 |
| | H 30 01 47 478 | WINCH HANDLE | | 1 |
| | H 33 08 00 100 | ADJUSTABLE OUTHAUL ASSEMBLY, COMPLETE | | 1 |
| | H 35 08 00 100 | BOOM VANG ASSEMBLY, COMPLETE | | 1 |



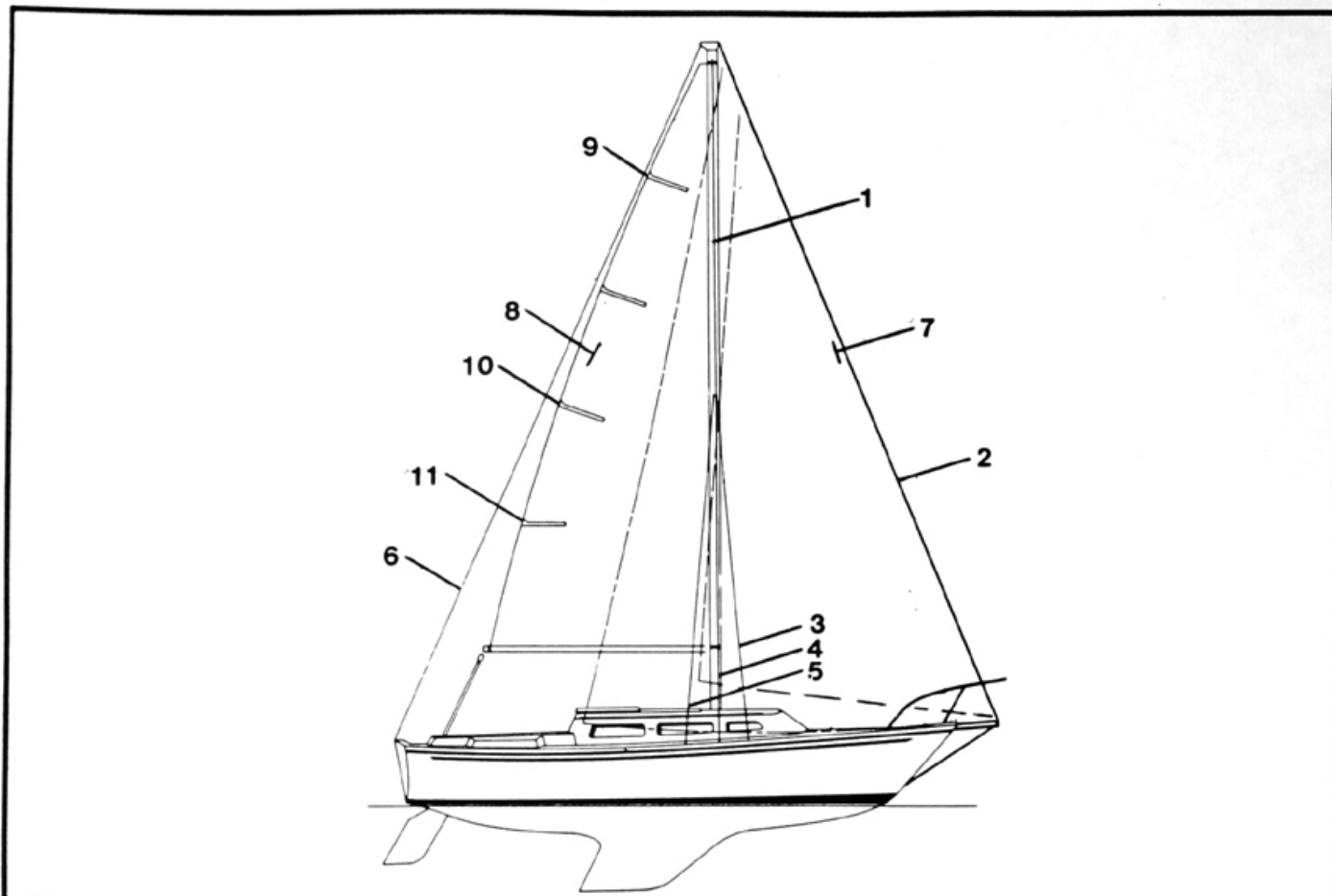
| ref | Part Number | Description | std | opt |
|-----|----------------|--|-----|-----|
| 1 | H 35 01 01 725 | SINGLE BLOCK, FOR SPINNAKER HALYARD | | 1 |
| 2 | H 35 01 03 715 | SHACKLE, FOR SINGLE BLOCK | | 1 |
| 3 | H 35 01 05 275 | SPINNAKER HALYARD, BRAIDED DACRON, 3/8" x 75'-0" | | 1 |
| 4 | H 35 01 07 725 | SINGLE BLOCK, FOR SPINNAKER TOPPING LIFT | | 1 |
| 5 | H 35 01 09 715 | SHACKLE, FOR SINGLE BLOCK | | 1 |
| 6 | H 35 01 11 255 | PAD EYE, FOR TOPPING LIFT SINGLE BLOCK | | 1 |
| 7 | H 35 01 11 F | FASTENER KIT: (2) #10 x 1" PHIL. PHSMS, S.S. | | 1 |
| | H 35 01 13 275 | TOPPING LIFT, BRAIDED DACRON, 3/8"x 30'-0" | | 1 |
| | H 35 01 15 760 | SPINNAKER 6" JAM CLEAT, ON MAST | | 2 |
| | H 35 01 15F | FASTENER KIT: (2) 1/4"-20 x 1 3/4" SLOT. FHMS, S.S. | | 2 |
| 8 | H 35 01 17 225 | SPINNAKER POLE, STANDARD RIG, 11'-2" | | 1 |
| 9 | H 35 01 19 530 | SPINNAKER EYE, (CAR), S.S. | | 1 |
| 10 | H 35 01 21 900 | SPINNAKER T-TRACK, 4'-6" | | 1 |
| | H 35 01 21F | FASTENER KIT: (13) 1/4"-20 x 1 3/4" SLOT. FHMS, S.S. (1) 1/4"-20 x 1 1/2" SLOT. RHMS, S.S. | | 1 |
| 11 | H 35 01 23 275 | FOREGUY SWIVEL BLOCK (2) 1/4" FLAT WASHER, S.S. | | 1 |
| | H 35 01 23F | FASTENER KIT: (4) #10-24 x 1 1/4" SLOT. FHMS, S.S. (4) #10 FLAT WASHER, S.S. (4) #10 LOCK WASHER, S.S. (4) #10-24 HEX NUT, S.S. | | 1 |
| 12 | H 35 01 25 725 | CAM CLEAT W/FAIRLEAD, FOR FOREGUY | | 1 |
| | H 35 01 25F | FASTENER KIT: (2) #10 CAP HEX NUT, S.S. | | 1 |
| 13 | H 35 01 27 275 | FOREGUY, BRAIDED DACRON, 3/8" x 35'-0" | | 1 |



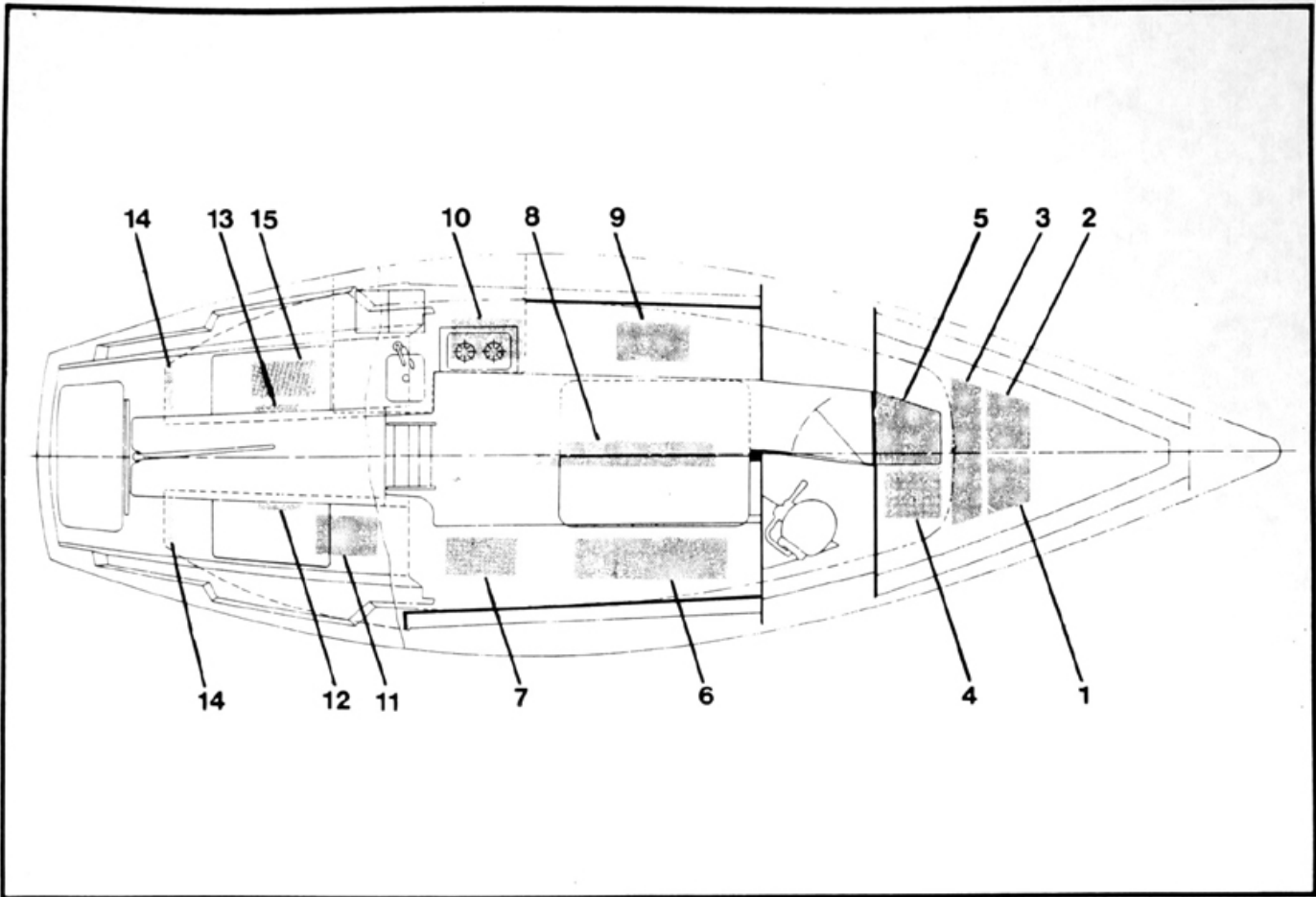
| ref | Part Number | Description | std | opt |
|-----|----------------|--|-----|-----|
| 1 | H 35 01 29 478 | SPINNAKER SHEET WINCH | | 2 |
| | H 35 01 29F | FASTENER KIT: (4) 1/4"-20 x 2" SLOT. RHMS, S.S. (4) 1/4" FLAT WASHER, S.S. (4) 1/4" LOCK WASHER, S.S. (4) 1/4"-20 HEX NUT, S.S. | | 2 |
| 2 | H 35 01 31 478 | WINCH HANDLE | | 1 |
| 3 | H 35 01 33 760 | 6" SHEET JAM CLEAT | | 2 |
| | H 35 01 33 F | FASTENER KIT: (2) 1/4"-20 x 2" SLOT. RHMS, S.S. (2) 1/4" FLAT WASHER, S.S. (2) 1/4" LOCK WASHER, S.S. (2) 1/4"-20 HEX NUT, S.S. | | 2 |
| | H 35 01 35 530 | SPINNAKER SHEET CAR | | 2 |
| | H 35 01 37 725 | STAND UP SPRING | | 2 |
| | H 35 01 39 725 | SPINNAKER SHEET SINGLE BLOCK | | 2 |
| 4 | H 35 01 41 275 | SPINNAKER SHEET, BRAIDED DACRON, 3/8" x 55' - 0" | | 2 |
| | H 35 01 43 270 | SWIVEL SNAP SHACKLE, BRONZE | | 5 |
| 5 | H 35 01 45 100 | SPINNAKER, 3/4 oz., SPECIFY COLOR | | 1 |
| | H 35 01 47 100 | SPINNAKER SAIL BAG | | 1 |
| | H 35 01 00 100 | SPINNAKER GEAR, COMPLETE | | 1 |



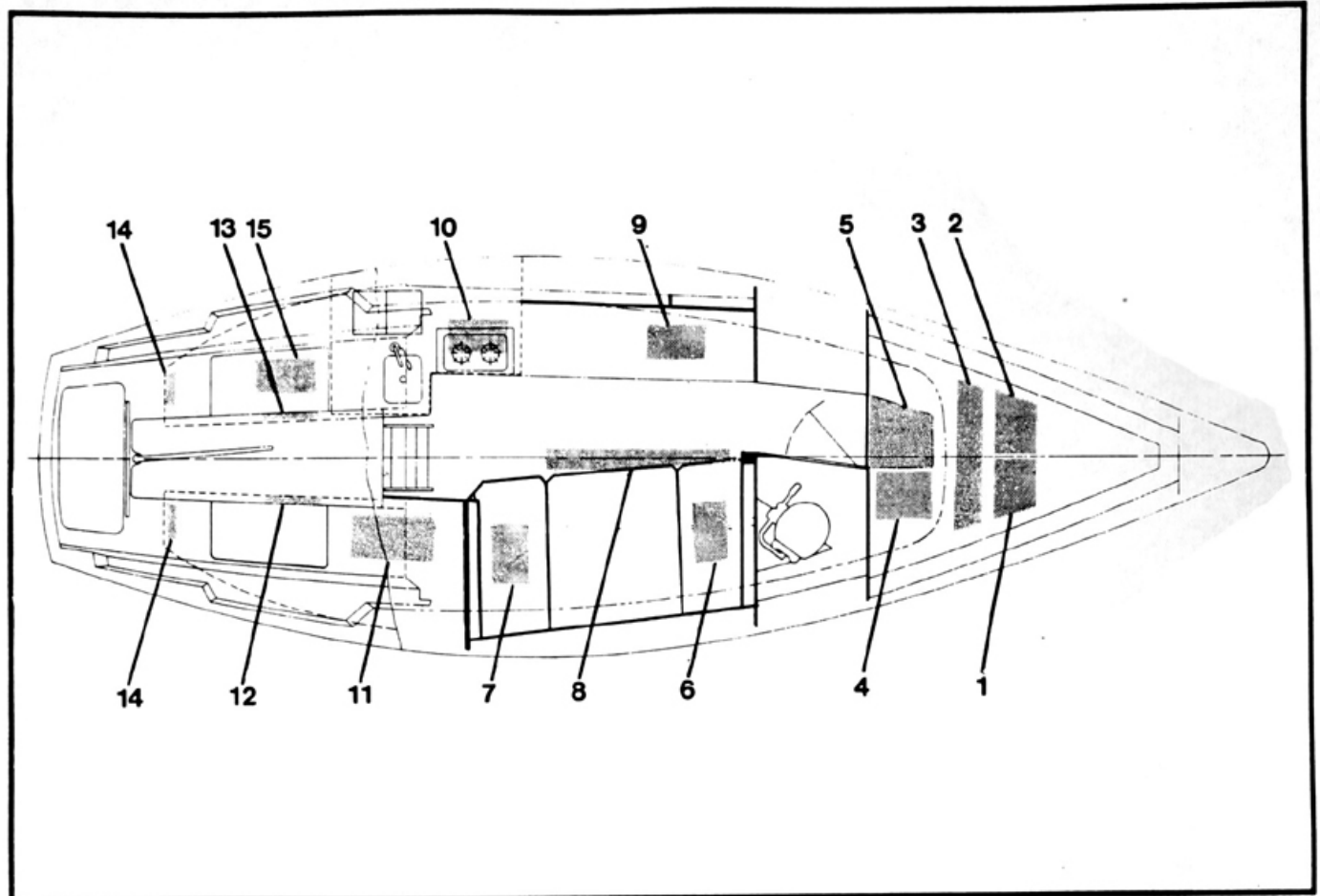
| ref | Part Number | Description | std | opt |
|-----|----------------|---|-----|-----|
| 1 | H 32 01 01 100 | FORESTAY, 1 x 19, 3/16" x 34'-10 3/4" | 1 | |
| 2 | H 32 01 03 100 | FORWARD LOWER SHROUD, 1 x 19, 5/32" x 16'-11 3/4" | 2 | |
| 3 | H 32 01 05 100 | UPPER SHROUD, 1 x 19, 3/16" x 33'-8" | 2 | |
| 4 | H 32 01 07 100 | AFT LOWER SHROUD, 1 x 19, 5/32" x 17'-4 1/4" | 2 | |
| 5 | H 32 01 09 100 | SINGLE BACKSTAY, 1 x 19, 3/16" x 36'-10" | 1 | |
| | H 32 01 33 500 | 3/16" MARINE EYE | | |
| | H 32 01 35 500 | 5/32" MARINE EYE | | |
| | H 32 01 37 500 | 3/16" STUD | | |
| | H 32 01 39 500 | 5/32" STUD | | |
| 6 | H 37 01 01 100 | MAINSAIL | | 1 |
| | H 37 01 03 100 | MAINSAIL W/REEF POINTS | | 1 |
| | H 37 01 05 300 | MAINSAIL SLIDE, NYLON | | 1 |
| | H 37 01 07 550 | SAIL NUMBER, BLACK | | 2 |
| | H 37 01 09 550 | CLASS INSIGNIA, RED | | 2 |
| 7 | H 37 01 11 046 | 27" BATTEN | | 2 |
| | H 37 01 13 046 | 24 1/2" BATTEN | | 2 |
| 8 | H 37 08 11 100 | MAINSAIL COVER, SPECIFY COLOR | | 1 |
| | H 37 08 01 100 | MAINSAIL BAG | | 1 |
| 9 | H 37 01 17 100 | JIB | | 1 |
| | H 37 01 19 275 | JIB SHEET, BRAIDED DACRON, 3/8" x 65'-0" | | 1 |
| | H 37 01 21 100 | 150% GENOA | | 1 |
| | H 37 01 23 100 | 170% GENOA | | 1 |
| | H 37 01 25 275 | GENOA SHEET BRAIDED DACRON. 3/8" x 75'-0" | | 1 |
| | H 37 01 33 300 | HANK, BRONZE | | 1 |
| | H 37 08 03 100 | JIB SAIL BAG | | 1 |
| | H 37 08 05 100 | 150% GENOA SAIL BAG | | 1 |
| | H 37 08 07 100 | 170% GENOA SAIL BAG | | 1 |
| | H 37 01 51 715 | HALYARD SHACKLE | | 1 |



| ref | Part Number | Description | std | opt |
|-----|----------------|---|-----|-----|
| 1 | H 38 01 01 900 | TALL RIG, ALUMINUM MAST EXTRUSION, 34'-6" | | 1 |
| | H 38 01 03 680 | TALL RIG, CLEAR ANODIZED ALUMINUM MAST EXTRUSION, 34"-6" | | 1 |
| 2 | H 38 01 05 100 | TALL RIG W/BOWSPRIT FORESTAY, 1 x 19, 3/16" x 36'-11 1/2" | | 1 |
| 3 | H 38 01 07 100 | TALL RIG FORWARD LOWER SHROUD, 1 x 19, 5/32" x 18'-7 1/2" | | 1 |
| 4 | H 38 01 09 100 | TALL RIG UPPER SHROUD, 1 x 19, 3/16" x 35'-2 1/2" | | 2 |
| 5 | H 38 01 11 100 | TALL RIG AFT LOWER SHROUD, 1 x 19, 5/32" x 18'-10 3/4" | | 2 |
| 6 | H 38 01 13 100 | TALL RIG SINGLE BACKSTAY, 1x 19, 3/16" x 38'-5 1/2" | | 1 |
| | H 38 01 15 100 | TALL RIG SHORTENED BACKSTAY, 1 x 19, 3/16" x 32'-10 1/4" FOR SPLIT BACKSTAY OPTION | | 1 |
| | H 38 01 17 100 | TALL RIG MAIN HALYARD, 7 x 19, 1/8" x 34'-0" | | 1 |
| | H 38 01 19 100 | TALL RIG JIB HALYARD, 7x 19, 1/8" x 37'-0" | | 1 |
| | H 38 01 37 225 | SPINNAKER POLE FOR BOW SPRIT OPTION, 12'-2" | | 1 |
| 7 | H 38 01 23 100 | TALL RIG 110% LAPPER | | 1 |
| | H 38 01 25 100 | TALL RIG 129% GENOA | | 1 |
| | H 38 01 27 100 | TALL RIG 150% GENOA | | 1 |
| | H 38 01 29 100 | TALL RIG 165% GENOA | | 1 |
| 8 | H 38 01 31 100 | TALL RIG MAINSAIL | | 1 |
| | H 38 01 33 100 | TALL RIG MAINSAIL W/REEF POINTS | | 1 |
| | H 38 01 35 100 | TALL RIG SPINNAKER, 3/4 oz., SPECIFY COLOR | | 1 |
| 9 | P 38 01 38 046 | TALL RIG 18" BATTEN | | 1 |
| 10 | H 38 01 39 046 | TALL RIG 25 3/4" BATTEN | | 2 |
| 11 | H 38 01 41 046 | TALL RIG 23 1/2" BATTEN | | 1 |
| | H 38 01 55 100 | TALL RIG MAST ASSEMBLY, COMPLETE | | 1 |
| | H 38 01 57 100 | ANODIZED TALL RIG MAST ASSEMBLY, COMPLETE | | 1 |



| ref. | Part Number | Description | std | opt |
|------|----------------|--|-----|-----|
| 1 | H 41 01 01 285 | FORWARD STARBOARD HATCH LID | 1 | |
| 2 | H 41 01 03 285 | FORWARD PORT HATCH LID | 1 | |
| 3 | H 41 01 05 285 | MIDDLE HATCH LID | 1 | |
| | H 41 01 05F | FASTENER KIT: (2) #10 x 1 1/4" SLOT, OHSMS, S.S. (2) #10 FINISH WASHER, S.S. | 1 | |
| 4 | H 41 01 07 285 | AFT STARBOARD HATCH LID | 1 | |
| 5 | H 41 01 09 285 | AFT PORT HATCH LID | 1 | |
| 6 | H 41 01 11 285 | FORWARD STARBOARD SETTEE HATCH LID | 1 | |
| 7 | H 41 01 13 285 | AFT STARBOARD SETTEE HATCH LID | 1 | |
| 8 | H 41 01 15 285 | BILGE COVER | 1 | |
| | H 41 01 15F | FASTENER KIT: (4) #10 x 1 1/2" SLOT, OHSMS, S.S. (4) #10 FINISH WASHER, S.S. | 1 | |
| 9 | H 41 01 19 285 | PORT SETTEE HATCH LID | 1 | |
| 10 | H 41 01 21 285 | GALLEY HATCH LID | 1 | |
| 11 | H 41 01 23 285 | QUARTERBERTH HATCH LID | 1 | |
| 12 | H 41 01 25 285 | STARBOARD ENGINE INSPECTION PORT | 1 | |
| 13 | H 41 01 27 285 | PORT ENGINE INSPECTION PORT | | |
| 14 | H 41 01 29 285 | RUDDER POST INSPECTION PORT | | 2 |
| 15 | H 41 01 31 285 | SAIL LOCKER HATCH LID | 1 | |
| | H 41 01 00 100 | TRADITIONAL INTERIOR HATCH LIDS, COMPLETE SET HATCH LIDS FOR TRADITIONAL INTERIOR | | 1 |



| ref. | Part Number | Description | std | opt/ |
|------|----------------|--|-----|------|
| 1 | H 41 03 01 285 | FORWARD STARBOARD HATCH LID | 1 | |
| 2 | H 41 03 03 235 | FORWARD PORT HATCH LID | 1 | |
| 3 | H 41 03 05 285 | MIDDLE HATCH LID | 1 | |
| | H 41 03 05F | FASTENER KIT: (2) #10 x 1 1/4" SLOT. OHSMS, S.S. (2) #10 FINISH WASHER, S.S. | 1 | |
| 4 | H 41 03 07 285 | AFT STARBOARD HATCH LID | 1 | |
| 5 | H 41 03 09 285 | AFT PORT HATCH LID | 1 | |
| 6 | H 41 03 11 285 | FORWARD DINETTE SEAT HATCH LID | 1 | |
| 7 | H 41 03 13 285 | AFT DINETTE SEAT HATCH LID | 1 | |
| 8 | H 41 03 15 285 | BILGE COVER | 1 | |
| | H 41 03 15F | FASTENER KIT: (4) #10 x 1 1/2" SLOT. OHSMS, S.S. (4) #10 FINISH WASHER, S.S. | 1 | |
| 9 | H 41 03 19 285 | SETTEE HATCH LID | 1 | |
| 10 | H 41 03 21 285 | GALLEY HATCH LID | 1 | |
| 11 | H 41 03 23 285 | QUARTERBERTH HATCH LID | 1 | |
| 12 | H 41 03 25 285 | STARBOARD ENGINE INSPECTION PORT | 1 | |
| 13 | H 41 03 27 285 | PORT ENGINE INSPECTION PORT | 1 | |
| 14 | H 41 03 29 285 | RUDDER POST INSPECTION PORT | 2 | |
| 15 | H 41 03 31 285 | SAIL LOCKER HATCH LID | 1 | |
| | H 41 03 00 100 | DINETTE AFT GALLEY HATCH LIDS, COMPLETE SET HATCH LIDS FOR DINETTE AFT GALLEY | 1 | |